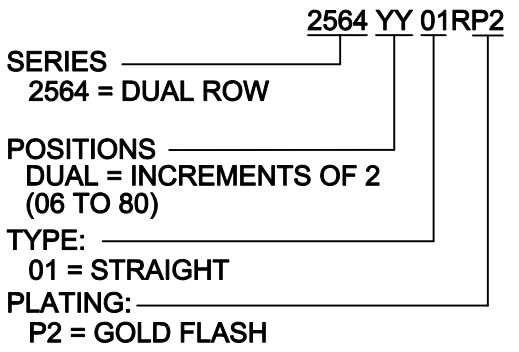
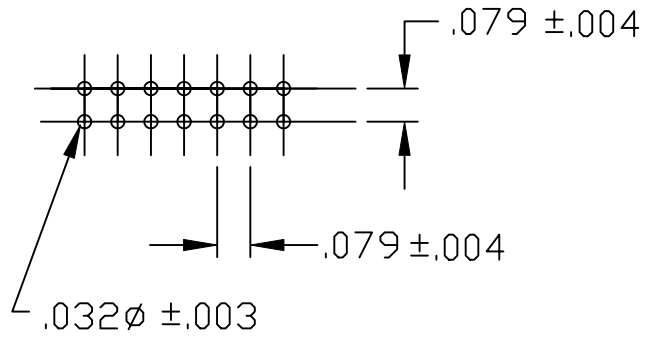
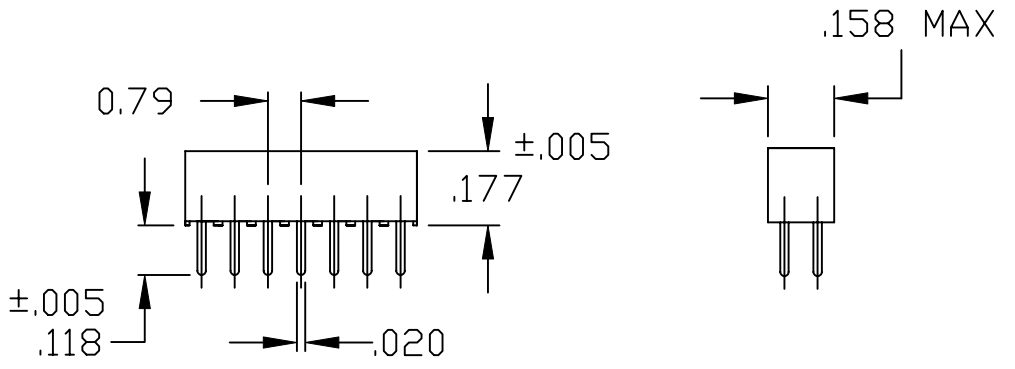
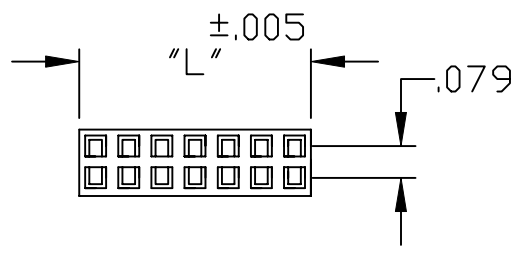


**DESCRIPTION: 2MM DUAL ROW RECEPTACLE**

"L" = NO. OF CONTACTS PER ROW X .079

**MATERIAL:**  
 HOUSING: NYLON 6T (UL 94V-0) BLACK  
 CONTACT: PHOSPHOR BRONZE  
 PLATING: GOLD FLASH MATING SIDE  
 100µ" TIN ON BOARD SIDE  
 RoHS COMPLIANT

**ELECTRICAL:**  
 CURRENT RATING: 1 AMP  
 CONTACT RESISTANCE: 20 mΩ MAX.  
 INSULATOR RESISTANCE: 5000 MEGΩ MIN.  
 DWV: 500V AC  
 OPERATING TEMP:  
 -40°C TO +105°C  
 PROCESS TEMP: 260°C FOR 10 SECONDS



	THESE DRAWINGS AND SPECIFICATIONS ARE THE PROPERTY OF NorComp AND SHALL NOT BE REPRODUCED, COPIED OR USED AS THE BASIS FOR THE MANUFACTURE OF SALE OF APPARATUS WITHOUT WRITTEN PERMISSION.		DRAWN: PAM JENKINS	DATE: 1-30-06
	<h1>NorComp</h1>		CHECKED:	DATE:
SCALE: NTS			SHEET 1	OF 1
DWG NO.			<b>2564YY01RP2</b>	